



DRUM PUMPS

Yamada Air-Powered Double Diaphragm Drum Pumps have distinct design advantages, making them versatile and cost effective for transferring and dispensing liquids safely from 55 gallon drums.

**28 GPM
Maximum
Flow Rate**

- Self-Priming
- On/Off Reliable
- Intrinsically Safe
- Ability to Run Dry
- Ability to Dead Head
- Lightweight
- Portable

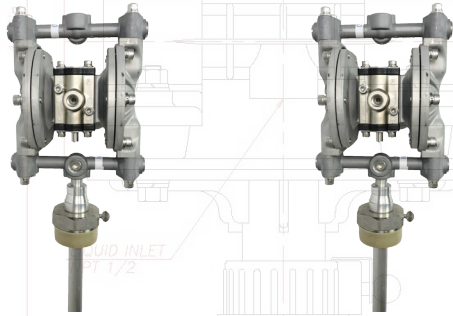
APPLICATIONS:



DRUM PUMPS

100 PSI
Maximum Air
Supply Pressure

3/8" - DP-10 Series



DP-10 Aluminum
NPT 2

DP-10 Stainless Steel

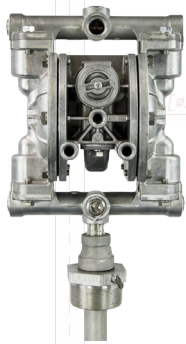


DP-10 FDA

UNPACK & INSTALL

Fully assembled unit includes pump, dip tube and necessary accessories.

1/2" - G15 & NDP-15 Series



G15 Aluminum



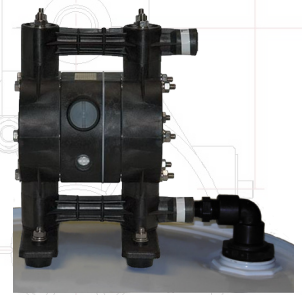
G15 Polypropylene



NDP-15 Polypropylene

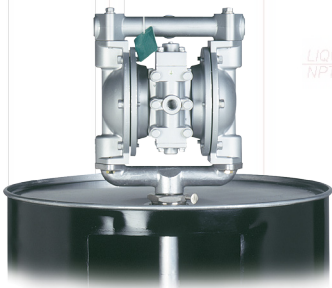


NDP-15 Stainless Steel



NDP-15 Kynar

3/4" - NDP-20 Series



NDP-20 Aluminum



NDP-20 Stainless Steel



NDP-20 Polypropylene



NDP-20 FDA

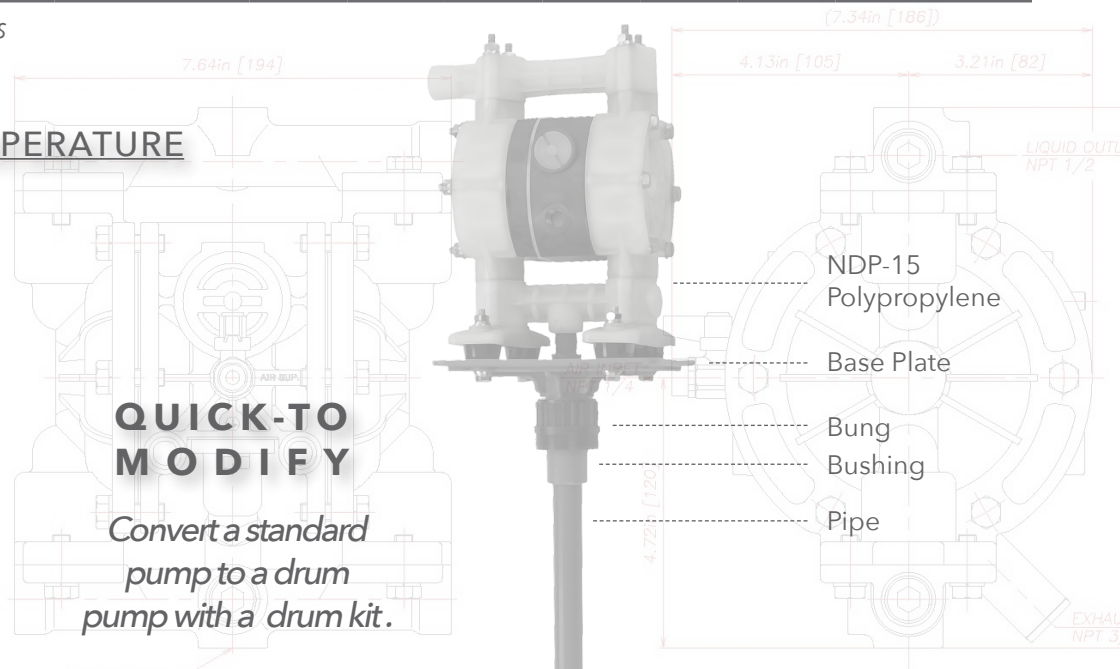
TECHNICAL SPECIFICATIONS

Material	Aluminum				Stainless Steel			Kynar®	Polypropylene		
	3/8"	1/2" N	1/2" G	3/4"	3/8"	1/2"	3/4"		1/2"	1/2" N	1/2" G
Port Size	3/8"	1/2" N	1/2" G	3/4"	3/8"	1/2"	3/4"	1/2"	1/2" N	1/2" G	3/4"
Max. Flow Rate (GPM)	5.28	13.5	15.8	29.1	5.28	13.5	29.1	11.9	11.9	17	29.1
Air Inlet (in.)	1/4	1/4	1/4	3/8	1/4	1/4	3/8	1/4	1/4	1/4	3/8
Max. Size Solid (in.)	1/32	1/32	1/32	1/16	1/32	1/32	1/16	1/32	1/32	1/32	1/16
Discharge Volume per Cycle (gal.)	0.020	0.034	0.045	0.163	0.020	0.034	0.163	0.034	0.034	0.045	0.163
Dry Suction Lift (ft.)	10	5	18	18	10	5	18	5	5	12	18

N=NPT-15 Series, G=G15 Global Series

MAXIMUM LIQUID TEMPERATURE

N: Buna N (NBR).....	180°F
C: Neoprene (CR).....	180°F
S: Santprene® TPO.....	180°F
E: Nordel™ (EPDM).....	212°F
T: PTFE.....	212°F
H: Hytrel® (TPE).....	248°F
V: Viton® (FKM).....	248°F
Polypropylene.....	180°F



DRUM KITS

YAMADA PUMP* (*pump not included w/kit)	DRUM KIT MODEL #	BUNG	BUSHING	NIPPLE	THUMB SCREW	PIPE	MANIFOLD	CLAMP	GASKET	COUPLING	ELBOW	BASE PLATE	MOUNTING BOLTS
DP-10 Aluminum	DP-10D	✓	✓	✓	✓	✓	-	-	-	-	-	-	-
DP-10 Stainless Steel	DP-10SD	✓	✓	✓	✓	✓	-	-	-	-	-	-	-
DP-10 FDA	DP-10SD-FDA	✓	-	-	✓	✓	✓	✓	✓	-	-	-	-
G15 Aluminum	G15AD	✓	-	✓	✓	✓	-	-	-	✓	-	-	-
G15 Polypropylene	G15PD	✓	✓	✓	✓	✓	-	-	-	-	-	✓	✓
NDP-15 Polypropylene	NDP-15PD	✓	✓	✓	✓	✓	✓	-	-	-	-	✓	✓
NDP-15 Kynar	NDP-15VD	✓	✓	-	✓	✓	★	-	-	-	✓	-	-
NDP-15 Stainless Steel	NDP-15SD	✓	-	✓	✓	✓	✓	-	-	✓	-	-	-
NDP-20 Aluminum	NDP-20D	✓	-	-	✓	✓	✓	-	-	-	-	-	-
NDP-20 Polypropylene	NDP-20PD	✓	✓	-	-	✓	-	-	-	-	✓	-	-
NDP-20 Stainless Steel	NDP-20SD	✓	-	-	✓	✓	✓	-	-	-	-	-	-
NDP-20 FDA	NDP-20SD-FDA	✓	-	-	✓	✓	✓	✓	✓	-	-	-	-

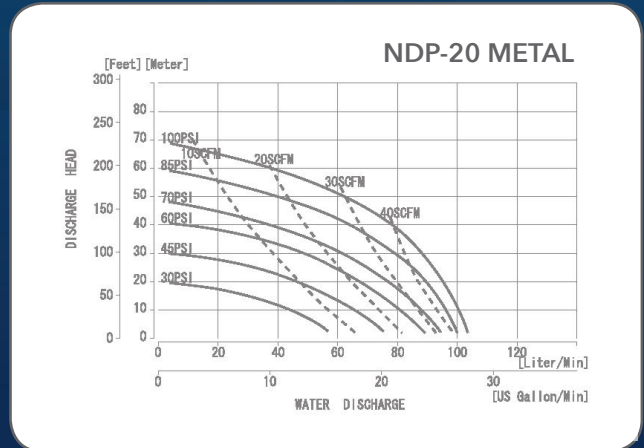
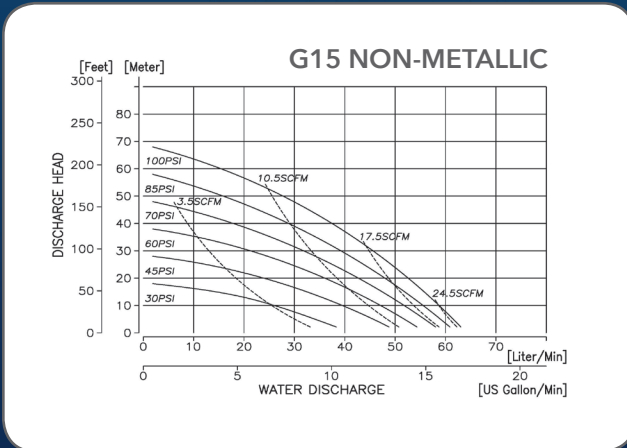
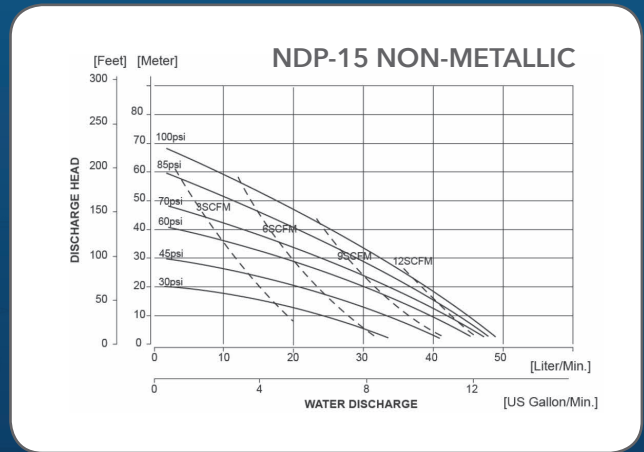
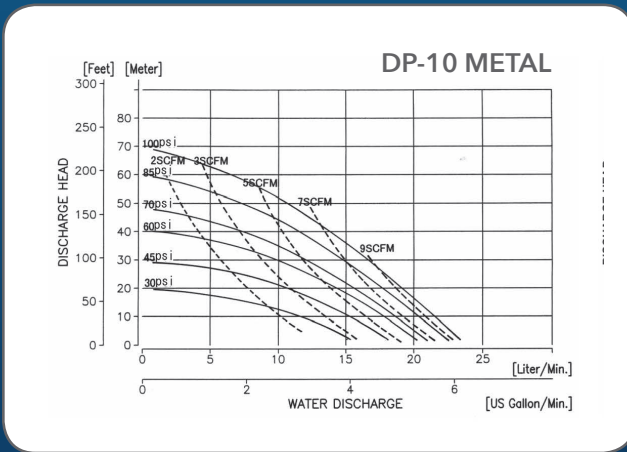
★ Sold separately.

DRUM PUMPS

AIR-POWERED DOUBLE DIAPHRAGM PUMPS

ENGINEERED TO **PERFORM.**
DESIGNED TO **OUTLAST.**

PERFORMANCE CURVES



Additional performance curves are available at www.yamadapump.com

YamadaPump.com
Toll Free (800) 990-7867



Yamada® is a registered trademark of Yamada America, Inc. The Proof's in the Pump® is a registered trademark of Yamada America, Inc. The Proof is in the Pump® is a registered trademark of Yamada America, Inc. SolidPro® Designed to Pump Fluids Containing Solids is a registered trademark of Yamada America, Inc. Xtreme Duty Pro XDP® is a registered trademark of Yamada America, Inc. InkPRO® is a registered trademark of Yamada America, Inc. Santoprene® is a registered trademark of Monsanto Co. Hytrel® is a registered trademark of E.I. du Pont de Nemours and Company. Kynar® is a registered trademark of Arkema. Nordel™ is a trademark of DuPont Dow Elastomers. Ryton® is a registered trademark of Chevron Phillips Chemical Company. Viton® is a registered trademark of DuPont Performance Elastomers. Spool (S-Spool) C.L. 3/2/2017.

The Proof's in the Pump

Local Distributor:

Form# DP0718